

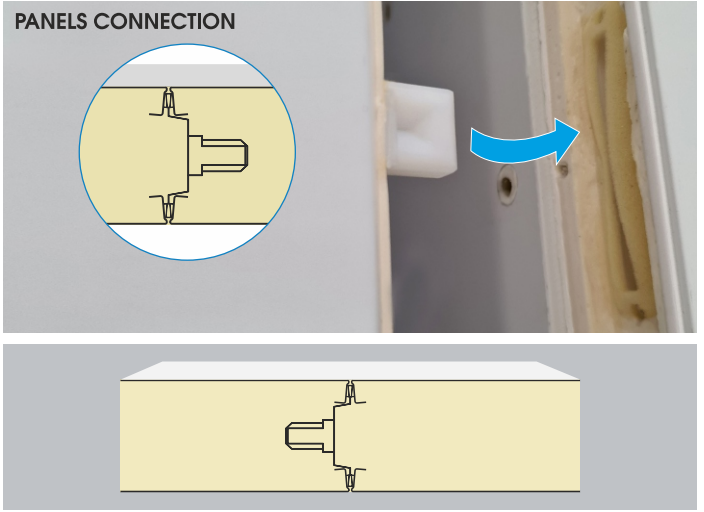
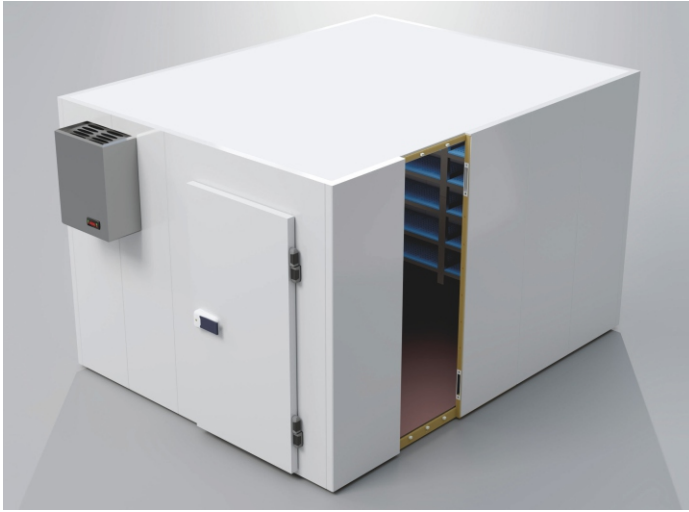
## COMPLETE MODULAR COLD-ROOMS

### BENEFITS OF COMPLETE, MODULAR COLD ROOMS

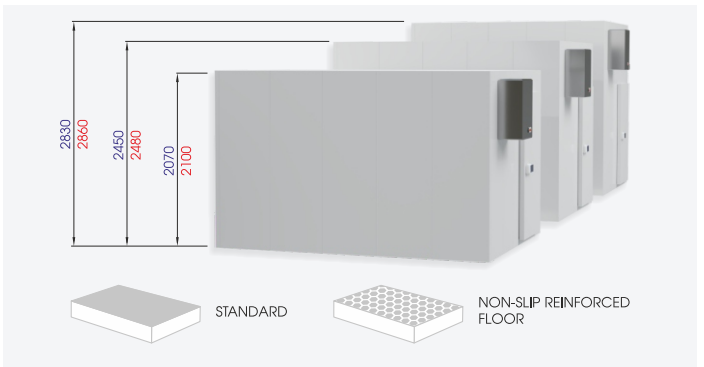
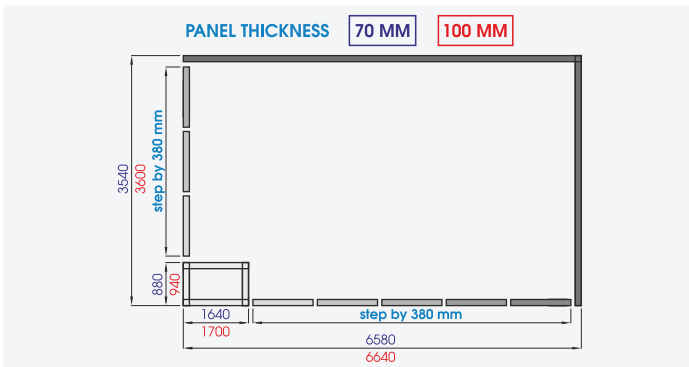
- Cold room is **made of modular panels**, which allows for a perfect fit even to hard-to-reach space of target assembly (easy to bring in and a wide range of dimensions, heights and thicknesses of panels).
- Joining panels is using special system, so it allows **easy, quick installation and removal of cold room** without affecting properties of panels, as well as its relocation and expansion by adding more panels.
- Panel connection system is by means of latches (built into panel), which ensure **highest tightness**.
- Mounting panels **doesn't require additional gaskets** or use of silicone.
- Panels **have high-performance insulation with polyurethane foam**.
- Cold room application **increases energy savings and reduces CO<sub>2</sub> emissions**.
- **Easy to keep cold room clean** thanks to sanitary profiles (optional).
- **Adjustment and equipment** of cold room to customer's requirements, thanks to full range of components for cold rooms.
- **Easy and quick assembly of cold room - up to 2 persons** and no specialist knowledge required.
- **Fast delivery - 7-21 days**.

**COLD (CRT) AND FREEZING (FRT) ROOMS**

**CRT/FRT**

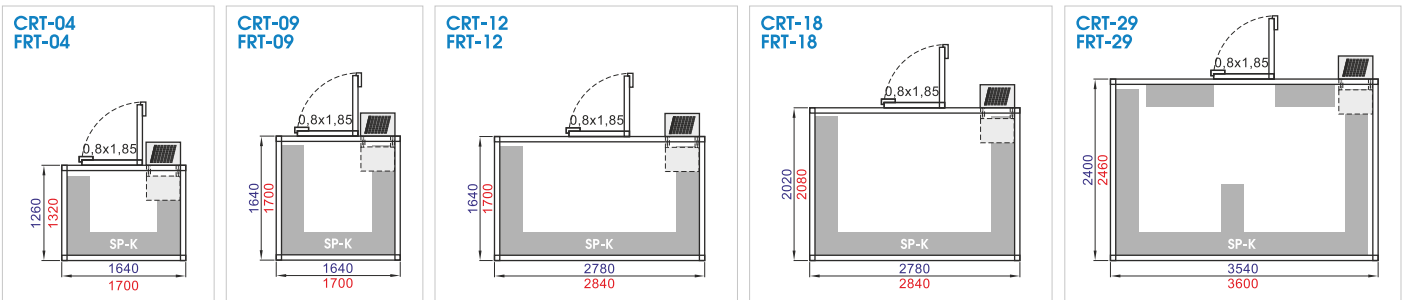


**DIMENSIONS STANDARD COLD ROOM (PANEL 70 MM AND 100 MM)**



**EXAMPLE OF COLD AND FREEZING ROOMS FOR PANEL THICKNESS**

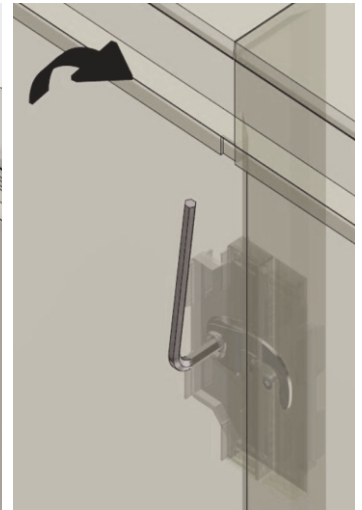
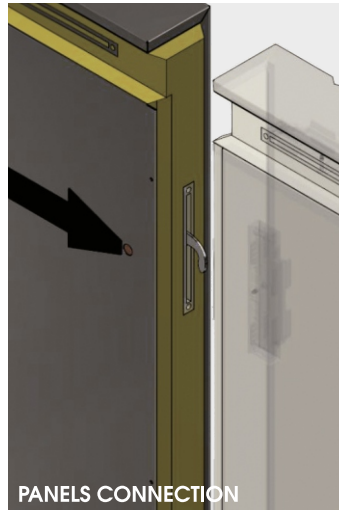
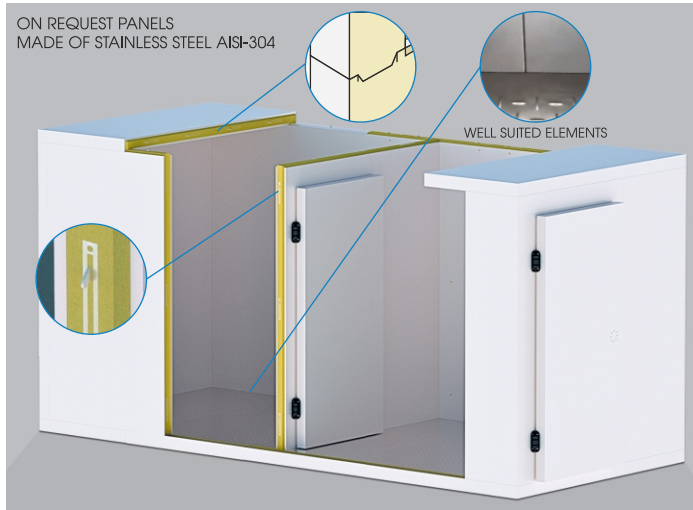
**70 MM 100 MM**



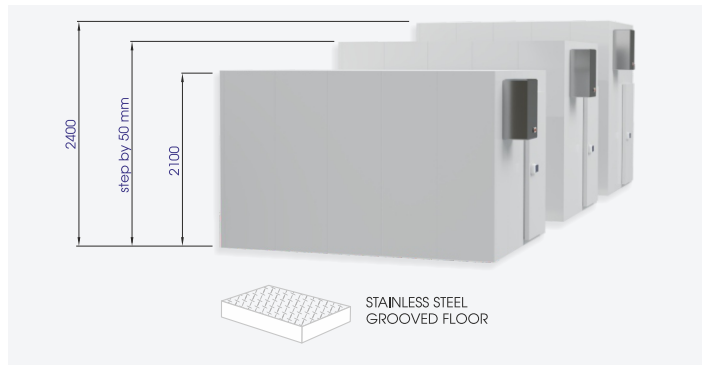
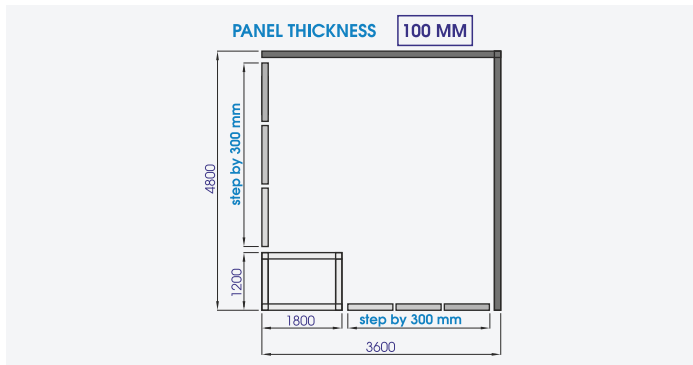
SYMBOL	CRT-04 / FRT-04		CRT-09 / FRT-09		CRT-12 / FRT-12		CRT-18 / FRT-18		CRT-29 / FRT-29	
INTERNAL DIMENSIONS	1120 x 1500 mm		1500 x 1500 mm		1500 x 2640 mm		1880 x 2640 mm		2260 x 3400 mm	
COLD ROOM INT. HEIGHT	1900 mm	2280 mm	1900 mm	2280 mm	1900 mm	2280 mm	1900 mm	2280 mm	1900 mm	2280 mm
VOLUME	3,19 m³	3,83 m³	4,28 m³	5,13 m³	7,52 m³	9,03 m³	9,43 m³	11,32 m³	14,60 m³	17,52 m³

## COLD (CRA) AND FREEZING (FRA) ROOMS

CRA/FRA

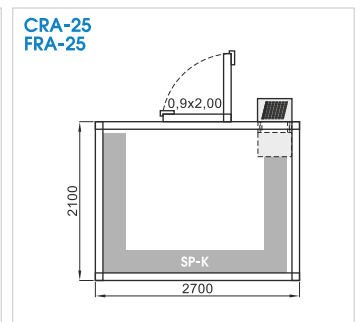
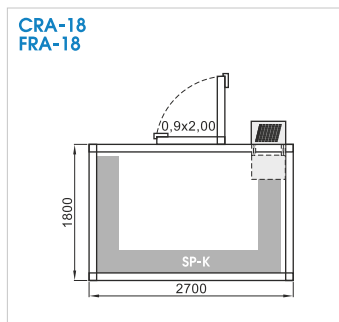
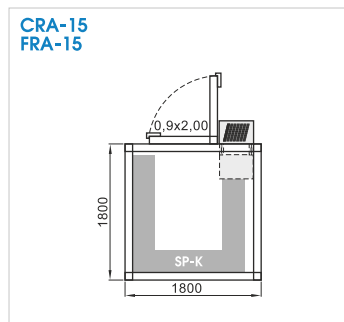
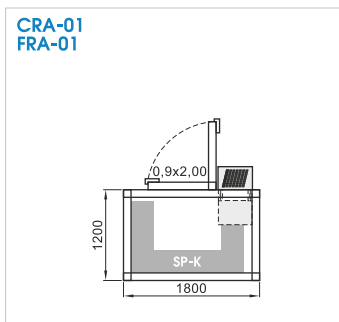


## DIMENSIONS STANDARD COLD ROOM (PANEL 100 MM)



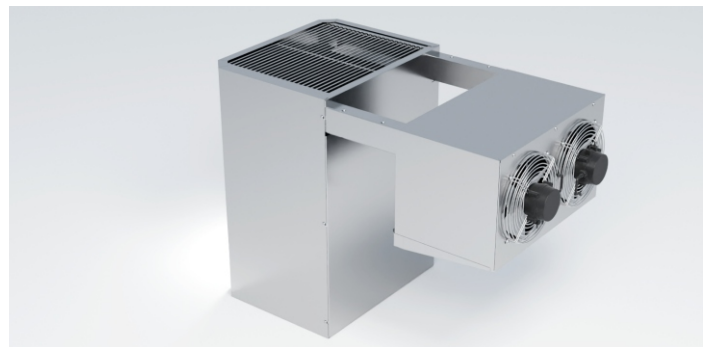
## EXAMPLE OF COLD AND FREEZING ROOMS FOR PANEL THICKNESS 100 MM

100 MM



SYMBOL	CRA-01 / FRA-01			CRA-15 / FRA-15			CRA-18 / FRA-18			CRA-25 / FRA-25		
INTERNAL DIMENSIONS	1000 x 1600 mm			1600 x 1600 mm			1600 x 2500 mm			1900 x 2500 mm		
COLD ROOM INT. HEIGHT	1900 (mm)	2050 (mm)	2200 (mm)	1900 (mm)	2050 (mm)	2200 (mm)	1900 (mm)	2050 (mm)	2200 (mm)	1900 (mm)	2050 (mm)	2200 (mm)
VOLUME	3,04 m <sup>3</sup>	3,28 m <sup>3</sup>	3,52 m <sup>3</sup>	4,86 m <sup>3</sup>	5,25 m <sup>3</sup>	5,63 m <sup>3</sup>	7,60 m <sup>3</sup>	8,20 m <sup>3</sup>	8,80 m <sup>3</sup>	9,03 m <sup>3</sup>	9,74 m <sup>3</sup>	10,45 m <sup>3</sup>

**ACCESSORIES FOR COLD ROOMS – OPTIONAL**



**WALL-MOUNTED MONOBLOCK FOR COLD ROOMS**

**MB-KO...CH/MR**

- already "plug&play" cooling system
- central mounting
- application range NT (-5°C; +5°C) and LT (-25°C; +15°C)
- stainless steel bearing structure
- ecological refrigerant R290

**MBP (-5°C / 0°C / +5°C)**

COLD-ROOM INTERNAL TEMP.				-5°C				0°C				+5°C			
SYMBOL	SIZE	Volt/Ph/Hz	DISPLACEMENT	TEMP. AMB. 43°C		EXTERNAL TEMP. 32°C		TEMP. AMB. 43°C		EXTERNAL TEMP. 32°C		TEMP. AMB. 43°C		EXTERNAL TEMP. 32°C	
				m³	W	m³	W	m³	W	m³	W	m³	W	m³	W
				<b>MB-KO-MBP-CH004</b>	(1)	230/1/50	14,3 cm³	4	790	4,8	948	5,2	932	6,8	1118
<b>MB-KO-MBP-CH005</b>	(1)	16,8 cm³	5	930	5,9		1099	6,5	1136	8,3	1339	9,8	1373	11,3	1614
<b>MB-KO-MBP-CH007</b>	(2)	22,4 cm³	7	1045	8,5		1293	9,5	1320	10,8	1625	12,1	1637	13,5	1998
<b>MB-KO-MBP-CH009</b>	(2)	27,8 cm³	9	1362	10,8		1638	11,2	1685	16,5	2028	18,4	2067	23,4	2482
<b>MB-KO-MBP-CH0012</b>	(2)	2x16,8 cm³	12	1580	14,1		1896	15	1864	20,9	2236	24,5	2364	28	2800
<b>MB-KO-MBP-CH0018</b>	(3)	2x22,4 cm³	18	2090	23,1		2586	21,6	2640	32,6	3250	35	3274	43	3996

PARAMETERS CALCULATED ACCORDING TO EN 12900 FOR: ΔT CONDENSATION=10K, ΔT EVAPORATION=10K

**LBP (-25°C / -20°C / -15°C)**

COLD-ROOM INTERNAL TEMP.				-25°C				20°C				-15°C			
SYMBOL	SIZE	Volt/Ph/Hz	DISPLACEMENT	TEMP. AMB. 43°C		EXTERNAL TEMP. 32°C		TEMP. AMB. 43°C		EXTERNAL TEMP. 32°C		TEMP. AMB. 43°C		EXTERNAL TEMP. 32°C	
				m³	W	m³	W	m³	W	m³	W	m³	W	m³	W
				<b>MB-KO-LBP-MR003</b>	(1)	230/1/50	27,8 cm³	3	523	3,3	657	4	684	4,8	848
<b>MB-KO-LBP-MR004</b>	(1)	33,4 cm³	4	716	4,5		876	5,5	926	6,3	1121	9,7	1171	11	1406
<b>MB-KO-LBP-MR008</b>	(2)	2x22,4 cm³	8	818	9,3		1046	13	1080	17	1356	23,2	1394	28	1732
<b>MB-KO-LBP-MR0013</b>	(3)	2x33,4 cm³	13	1432	14,6		1752	18,9	1852	23,7	2242	34,6	2342	39	2812

PARAMETERS CALCULATED ACCORDING TO EN 12900 FOR: ΔT CONDENSATION=10K, ΔT EVAPORATION=10K